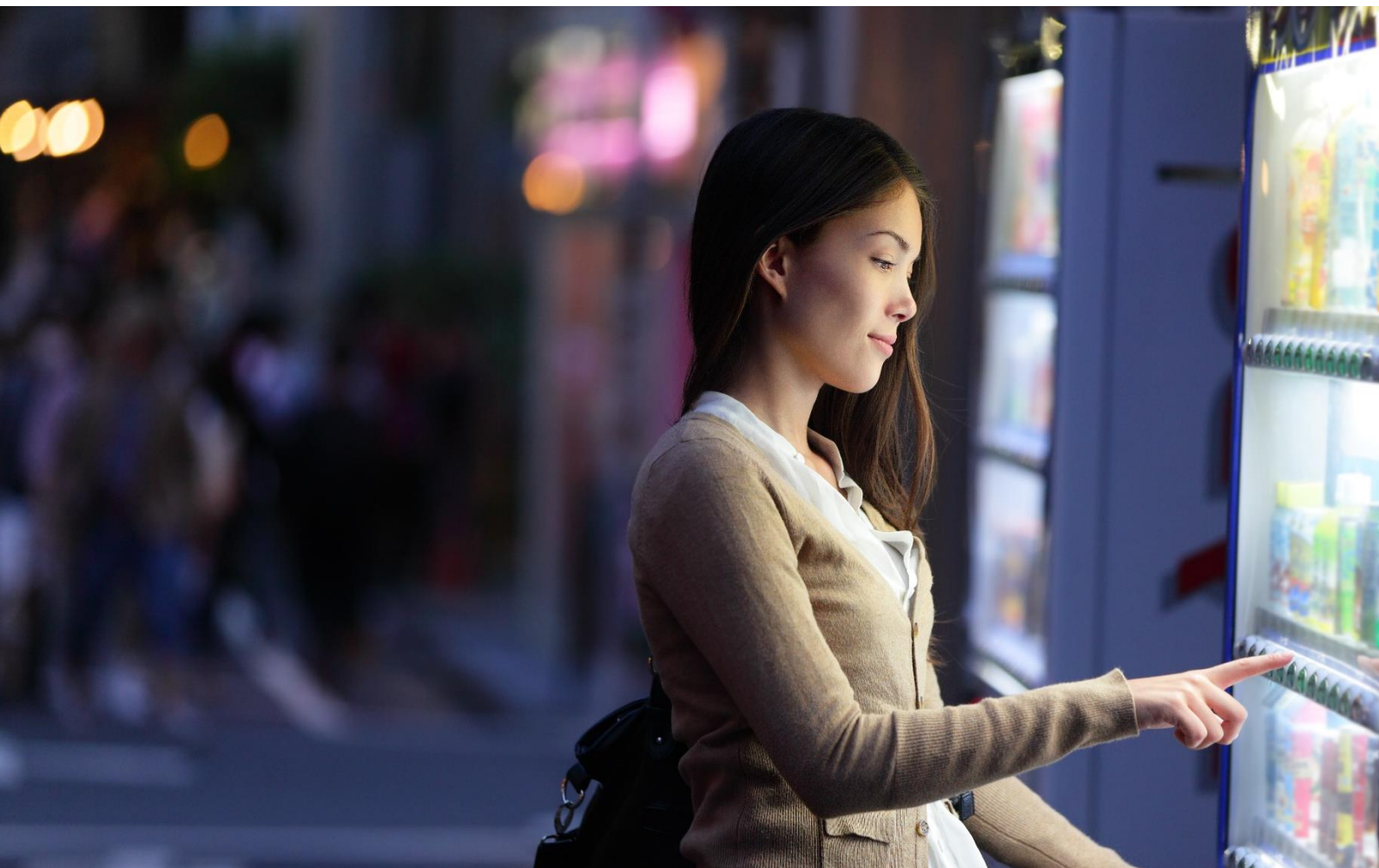


GEMINI 2000

CONTACTLESS PAYMENTS FOR VENDING



Fully certified contactless payment solution for unattended POS

Visa and Mastercard acceptance, including Google Pay and Apple Pay

Fast transaction processing, detailed reporting and easy refunds

Highly secure system certified to Payment Card Industry standards

Fast delivery, working directly with UK manufacturer

TAP INTO CONTACTLESS

Tap into the potential of contactless with Gemini 2000, a specialist manufacturer based in the United Kingdom. For over 25 years, we've helped businesses large and small offer seamless contactless acceptance in their vending machines, electric vehicle chargers, ticket kiosks, barriers, and more.

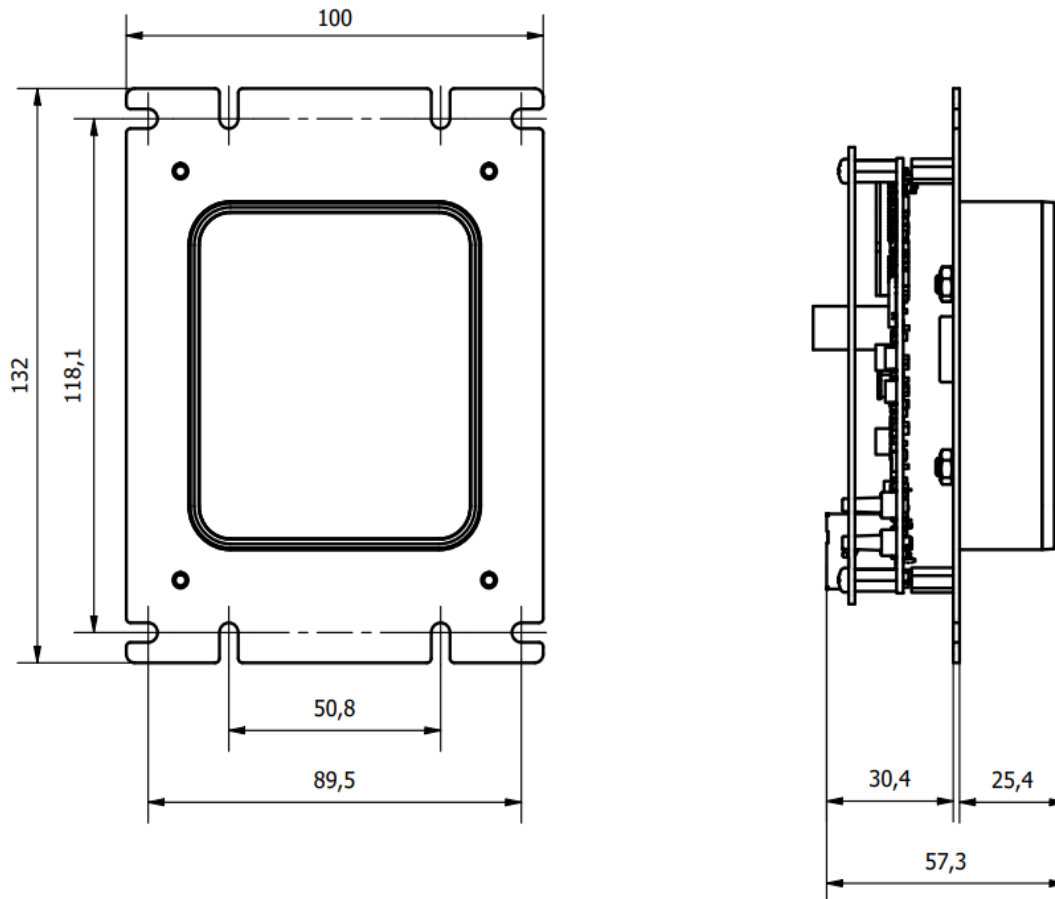
BUILT FOR VENDING

Our latest terminal "Yuzu" is designed with the vending industry in mind. A compact contactless-only reader with colour display fitted onto an EVA mount, it allows fast secure transaction processing via LAN, WiFi or 4G. Yuzu offers built-in MDB and Pulse support as well as a proprietary MQTT protocol for custom integration.



MECHANICAL DESIGN

The Yuzu terminal comes with a standard EVA mount. See the overall dimensions in the drawings below. 3D mechanical models are available upon request.



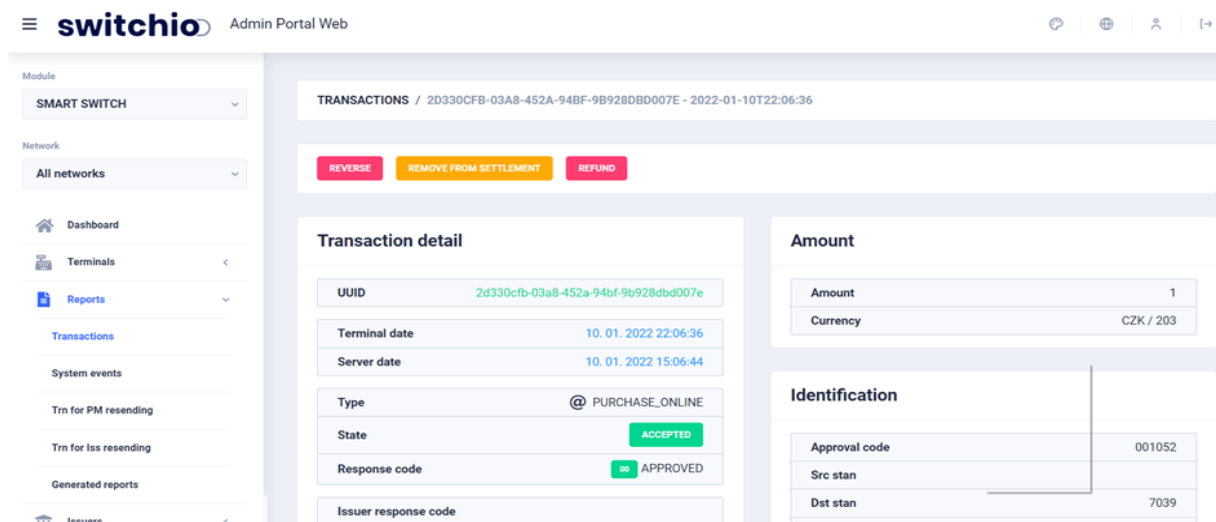
Other mechanical designs and modular options are available for installations where space is more limited – contact us to discuss further.

The contactless reader is waterproof to IP65.

SALES PORTAL

Reporting

Merchants have 24/7 access to real time reporting via the Switchio platform. Log in to generate terminal sales reports or drill down into individual transactions at a click of a button. Refunds are fast and easy to do – email us or give us a call with the transaction details and we'll process them for you.



GETTING STARTED

Test and development kit

Evaluate the Gemini 2000 solution with our £199 starter kit. This includes a reader, terminal, WiFi module, ICC test card and set up in our test environment. Contact us to order.

Get in touch

You can reach us on:

info@gemini2k.com

+44 (0)1202 666 700

PRICING

Competitive, straightforward pricing

All costs for the system are outlined below, with no hidden charges on top. The hardware costs are one-off and payable upfront, and ongoing charges are due monthly after activation.

Hardware cost	
Contactless terminal	£179.00
WiFi module - optional	£19.00
4G module – optional	£39.00

Ongoing fees	
Terminal management fee	£6.99 per terminal per month
Transaction fee	Typically 2%, depending on volume
Refund fee	£0.45 per transaction
4G data - optional	Direct contract with data provider

Volume discounts are available when deploying over 100 devices.