

# GemTAG – x701-U & x701-RS

Desktop contactless Smart Card Reader/Writer



All layers of ISO 14443A+B, ISO 15693 as well as MIFARE® are supported

## **Supported cards:**

Mifare Classic, Mifare Ultralight, Mifare 4K, Mifare Pro and Pro X, JCOP 30, JCOP 31, DesFire. Optional: Philips I-CODE, Texas Instrument HF-I and more.

## **Special Features:**

- Comes with USB2.0 or RS232 Interface
- Multiprotocol - ISO 14443 part 1, 2, 3, 4 Type A/B, ISO 15693 compliant
- DLL and ActiveX middleware FREE with the reader
- In-field firmware upgrade

## GemTAG – x701-U & x701-RS

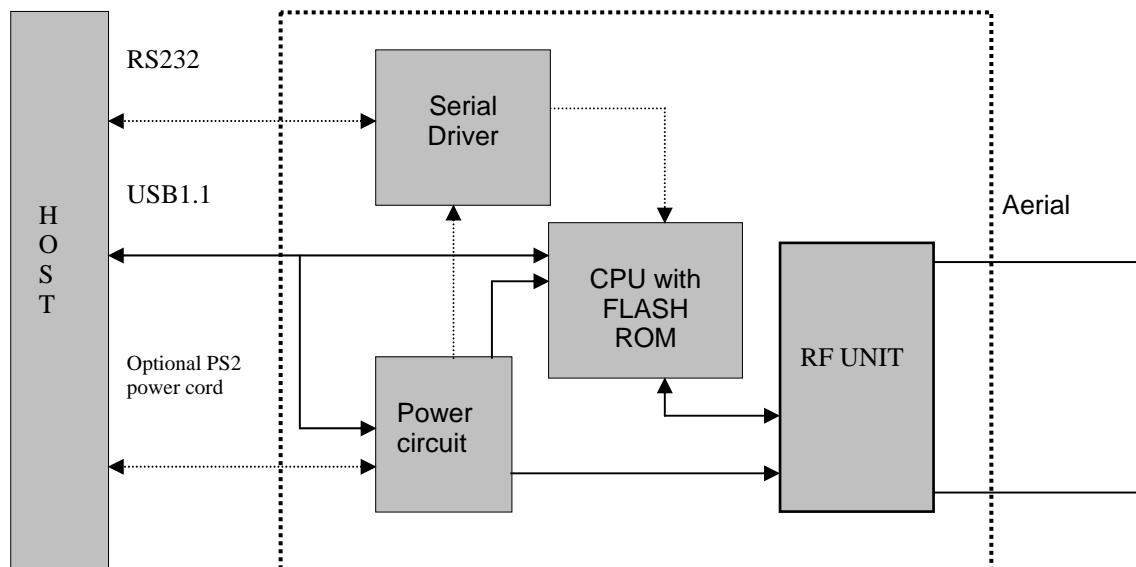
Desktop contactless ISO 14443/15693 card reader/writer.

### Specifications:

- ISO 14443/1,2,3 and 4 part A, part B and ISO 15693 compliant.
- Mifare Classic, Mifare Ultralight, Mifare 4K, Mifare Pro and Pro X Compliant
- Max. power required – 200mA via the USB interface or PS2 port
- In-system firmware upload
- 1 LED indicator (software controlled)
- USB 1.1 and 2.0 or RS232 serial interface up to 230 400 baud rate
- Watchdog timer
- Communication distance – 40 – 60 mm typical
- Mechanic and environmental characteristics:
  - Size: 66 x105x24mm
  - Weight:205g
  - Operating temperature: -20 +70° C
  - Storage temperature: -30 +80° C
  - Relative humidity: up to 93%

### Development tools:

- G2KAPI high level library (DLL and ActiveX)
- G2K SDK toolkit
- G2K Reader command set test tool



### Contact Information:

Gemini 2000 Ltd.  
Peartree Business Centre  
Cobham Road  
Ferndown Industrial Estate  
Wimborne  
BH21 7PP  
UK

Tel: +44 (0) 1202 850 820  
Fax: +44 (0) 1202 850 819  
e-mail: [info@gemini2000.com](mailto:info@gemini2000.com)  
[www.gemini2000.com](http://www.gemini2000.com)