

GemTAG – x701-U & x701-RS OEM

Contactless Smart Card Reader/Writer module



All layers of ISO 14443A+B, ISO 15693 as well as MIFARE® are supported

Supported cards:

Mifare Classic, Mifare Ultralight, Mifare 4K, Mifare Pro and Pro X, JCOP 30, JCOP 31, DesFire. Optional: Philips I-CODE, Texas Instrument HF-I and more.

Special Features:

- Comes with USB2.0 or RS232 Interface
- Multiprotocol - ISO 14443 part 1, 2, 3, 4 Type A/B, ISO 15693 compliant
- DLL and ActiveX middleware FREE with the reader
- In-field firmware upgrade

GemTAG – x701-U & x701-RS OEM

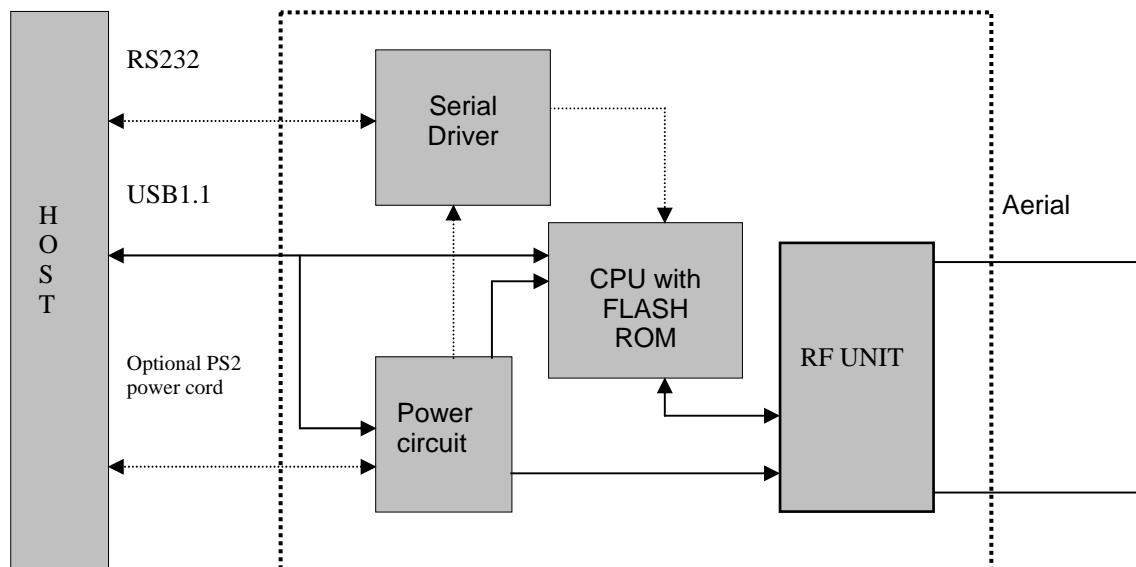
Contactless ISO 14443/15693 card reader/writer module.

Specifications:

- ISO 14443/ part 1, 2, 3, 4 Type A/B and ISO 15693 compliant.
- Mifare Classic, Mifare Ultralight, Mifare 4K, Mifare Pro and Pro X Compliant
- Max. power required – 200mA via the USB interface or PS2 port
- In-system firmware upload
- 1 LED indicator (software controlled)
- USB 1.1 and 2.0 or RS232 serial interface up to 230 400 baud rate
- Watchdog timer
- Communication distance – 40 – 60 mm typical
- Mechanic and environmental characteristics:
 - Size: 75x50x5mm
 - Weight: up to 50g
 - Operating temperature: -20 +70° C
 - Storage temperature: -30 +80° C
 - Relative humidity: up to 93%

Development tools:

- G2KAPI high level library (DLL and ActiveX)
- G2K SDK toolkit
- G2K Reader command set test tool



Contact Information:

Gemini 2000 Ltd.
Peartree Business Centre
Cobham Road
Ferndown Industrial Estate
Wimborne
BH21 7PP
UK

Tel: +44 (0) 1202 850 820
Fax: +44 (0) 1202 850 819
e-mail: info@gemini2k.com
www.gemini2k.com