

GemTAG – x501U & x501S

Desktop contactless ISO 14443/15693 card reader.



ISO 14443/1,2,3 and 4 part A (part B and ISO 15693 optional) compliant reader

Supported cards:

Mifare Classic, Mifare Ultralight, Mifare 4K, Mifare Pro and Pro X, JCOP 30, JCOP 31, DesFire. Optional: Philips I-CODE, Texas Instrument HF-I and more.

Special Features:

- Comes with USB1.1 (x501U) or RS232 Interface (x501S)
- Multiprotocol - ISO 14443/1,2,3 and 4 part A (part B and ISO 15693 optional) compliant
- DLL and ActiveX middleware FREE with the reader
- In-field firmware upgrade

GemTAG – x501U & x501S

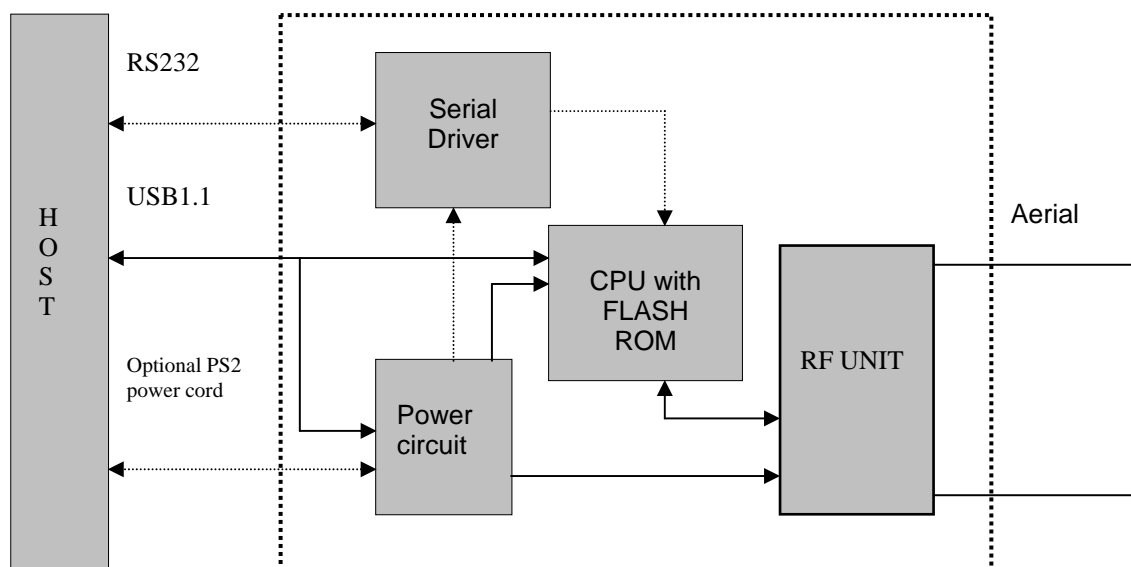
Desktop contactless ISO 14443/15693 card reader.

Specifications:

- ISO 14443/1,2,3 and 4 part A compliant. Part B and ISO 15693 optional.
- Mifare Classic, Mifare Ultralight, Mifare 4K, Mifare Pro and Pro X Compliant
- Max. power required – 200mA via the USB interface or PS2 port
- In-system firmware upload
- 1 LED indicator (software controlled)
- USB 1.1 or RS232 serial interface up to 115200 baud rate
- Watchdog timer
- Communication distance – 50-70mm typical
- Mechanic and environmental characteristics:
 - Size: 66 x105x24 mm
 - Weight:275g
 - Operating temperature: -20 -70° C
 - Storage temperature: -30 -80° C
 - Relative humidity: up to 90%

Development tools:

- G2KAPI high level library (DLL and ActiveX)
- G2K SDK toolkit
- G2K Reader command set test tool



Contact Information:

Gemini 2000 Ltd.
Peartree Business Centre
Cobham Road
Ferndown Industrial Estate
Wimborne
BH21 7PP
UK

Tel: +44 (0) 1202 850 820
Fax: +44 (0) 1202 850 819
e-mail: info@gemini2000.com
www.gemini2000.com