

GemTAG – x1010IP

Network ISO 14443 type A reader module



ISO 14443/1,2,3 and 4 part A (part B and ISO 1569 3 optional) compliant reader module

Supported cards:

Mifare Classic, Mifare Ultralight, Mifare 4K, Mifare Pro and Pro X, JCOP 30, JCOP 31, DesFire. Optional: Philips I-CODE, Texas Instrument HF-I and more.

Special Features:

- Multiprotocol - ISO 14443/1,2,3 and 4 part A (part B and ISO 1569 3 optional) compliant
- Power supply : DC +7.5 - +36V, 200 mA, external or IEEE 802.3af Type B Power-Over-Lan
- DLL and ActiveX middleware FREE with the reader
- System configuration via telnet service

GemTAG – x1010IP

Network ISO 14443 type A reader module.

Specifications:

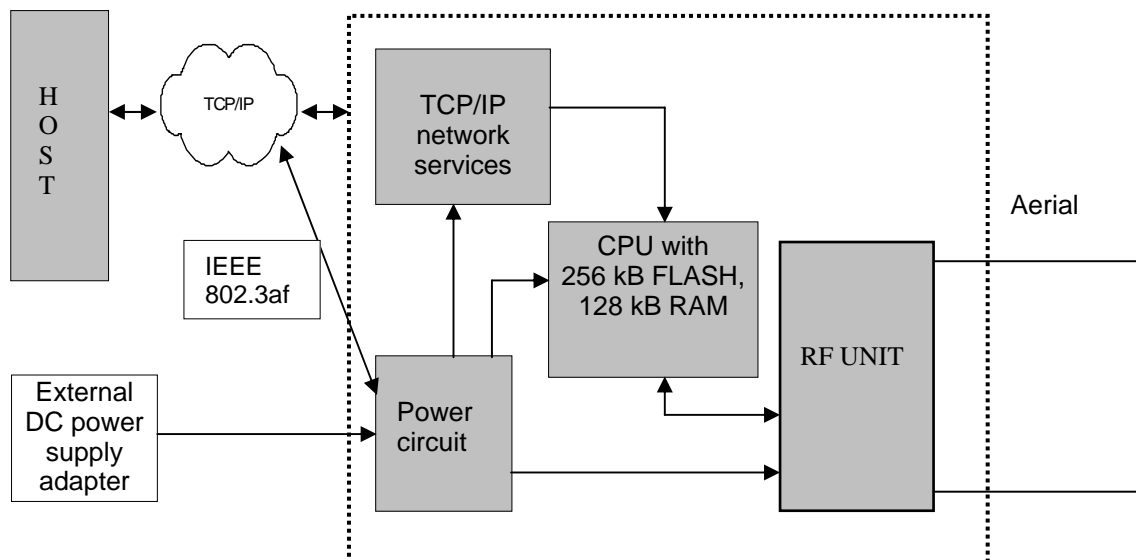
- ISO 14443/1,2,3 and 4 part A compliant. Part B and ISO 15693 optional.
- Mifare Classic, Mifare Ultralight, Mifare 4K, Mifare Pro and Pro X Compliant
- Power supply : DC +7.5 - +36V, 150 mA, external or IEEE 802.3af Type B Power-Over-Lan
- In system firmware upload
- 3 LED indicators (software controlled)
- 1 beeper
- TCP/IP connectivity
- Watchdog timer
- Communication distance – 50 - 70mm typical
- Mechanic and environmental characteristics:
 - Size: 140x70x35 mm
 - Weigth:260g
 - Operating temperature: -20 - 70⁰ C
 - Storage temperature: -30 - 80⁰ C
 - Relative humidity: up to 90%

Additional Features:

- System configuration via telnet service

Development tools:

- G2KCAPI high level library
- G2K SDK toolkit
- G2K Reader command set test tool



Contact Information:

Gemini 2000 Ltd.
Peartree Business Centre
Cobham Road
Ferndown Industrial Estate
Wimborne
BH21 7PP
UK

Tel: +44 (0) 1202 850 820

Fax: +44 (0) 1202 850 819

e-mail: info@gemini2k.com

www.gemini2k.com